

SAGITTARIUS

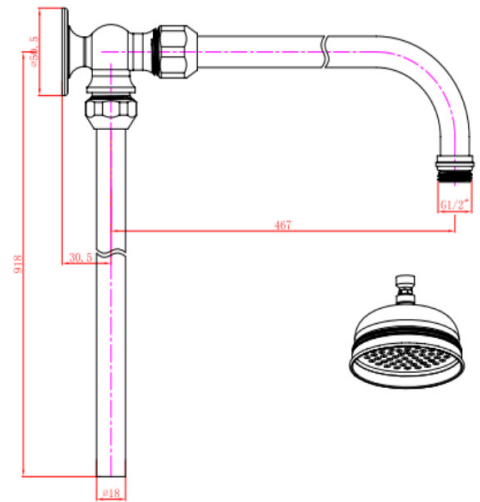
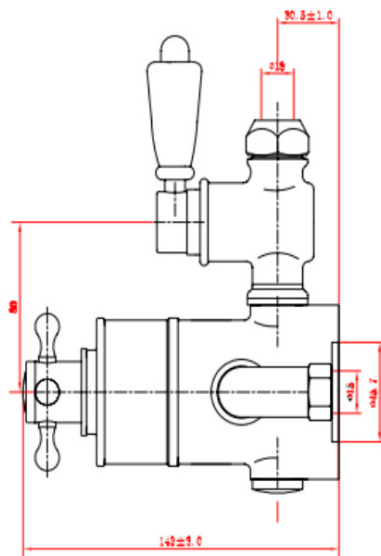
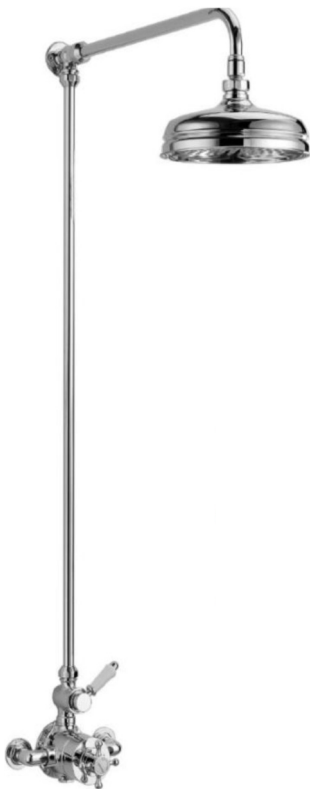
TAPS & SHOWERING

Construction	Brass Body
Finishes	Chrome plated to BS EN 248
Product Type	Traditional
Water Pressure	Min. 0.2 bar, Max. 6.0 bar
Plumbing Systems	Suitable for all plumbing systems
Standards	Complies with BS5412, BS EN200
Certification	Manufactured to comply with WRAS
Cartridge	1/4 Turn 3/4" Valves
Fitting	3/4" BSP
Packaging	99.5 x 72 x 21cm / carton (2 boxes / carton)
Guarantee	10 years against manufacturing faults (excluding serviceable parts).

EDWADIAN THERMO EXP

VALVES & RIGID RISER KIT

SHOW52



Flow Rates (Litres per minute)

System Pressure	0.1 Bar	0.2 Bar	0.3 Bar	0.5 Bar	1.0 Bar	1.5 Bar	2.0 Bar	3.0 Bar	4.0 Bar	5.0 Bar
SHOW52				7.7	10.8		15.2	21.8	-	-

The information contained on this page was correct at the date of issue. Fitting dimensions are provided as a guide only. Some variation may occur due to manufacturing tolerances. We pursue a policy of continuing improvement in design and performance of our products and so reserve the right to change specifications without prior notice.

FOR FURTHER ADVICE PLEASE CONTACT :-

SAGITTARIUS LTD UNIT 1 LOWER VICTORIA STREET—CHADDERTON—OLDHAM—OL9 9TU TEL:0616 6202029

EMAIL:TECHNICAL@SAGITTARIUSTAPS.CO.UK