

Uniclass L721113	EPIC H14/1
CI/SfB (74.449)	X

Discrete. Design. Delicious. It is that simple to describe Delight. Literally speaking, Delight values the D and fits most of the D-shaped pans. Wrap-over underlines the stringent design. The seat is available with or without soft close.



Pressalit Delight® with soft close, incl. D09 universal flex hinge
Pressalit Delight® incl. D09 universal flex hinge

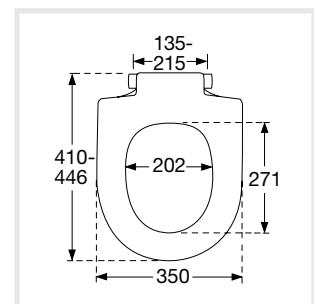
No. 492000-D09999 with cover
No. 592000-D09999 with cover

Design/Year

Pressalit, 2007, registered trade mark

Product Description

PRESSALIT toilet seat with cover, model "Delight", art. no. 492/592 made of colour ingrained duroplast with hinges of stainless steel and plastic
- with D09 universal flex hinge of stainless steel and plastic
- centre distance: 135-215 mm
- load - ring seat 240 kg
- suitable for D-shaped toilets
- 10 year guarantee

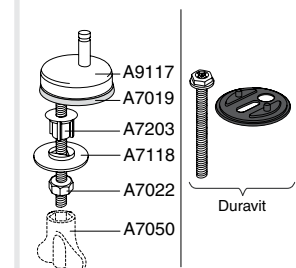


Colour Programme

000 White

Alternative Hinge

D01 Universal top mounted hinge
D02 Universal Flextoogle hinge

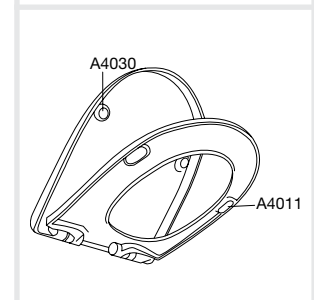


Hinge Finish

999 Stainless steel and plastic

Spare Parts

A4011 Buffer for pushing into seat, oval, grey
A4030 Buffer for pushing into cover, round, grey



Seats for your senses

Product Weight

Net weight approx. 3200 gr., incl. hinge

Packaging

Single carton
5 single cartons in a master carton
12 master cartons (60) per pallet

Dimensions:
475x425x80 mm
482x432x420 mm

Weight:
3600 gr
18700 gr

Material Description

TOILET SEAT:

The material is colour ingrained duroplast (UF A 10 = urea formaldehyde) that contains no environmentally hazardous substances. The body consists of approx. 50% urea (NH₂CONH₂), approx. 25% cellulose and approx. 25% formaldehyde (HCHO), as well as small amounts of various fillers and additives.

BUFFERS:

EVA (copolymer made of ethylene and vinyl acetate).

DAMPER KIT:

Hydraulic damper with plastic casing and metal shaft.
Damper liquid: Silicone oil.

MOUNT/HINGES:

Stainless steel ASTM A351 grade CF-8.

Composition: chrome (cr) 18-21%, nickel (ni) 8-11%, carbon <0,08%, molybdenum, silicone, sulphur, titanium.

Plastic Grivory GV-5H.

Suitability List

Usable on D-shaped toilets - see the printed seat suitability specifications.

Cleaning Instructions

Use a mild soap solution. Seat and hinges should not be left damp, but be dried with a soft cloth. When using abrasive, corrosive or chlorine based cleaners for the bowl, avoid contact with seat and hinges. Therefore, when cleaning the bowl, make sure that seat and cover are in an upright position until all the cleaner has been flushed away.

The guarantee includes faults or defects in the material of our products within a period of 10 years.

Products subject to minor technical modifications and design deviations E. & O.E.

